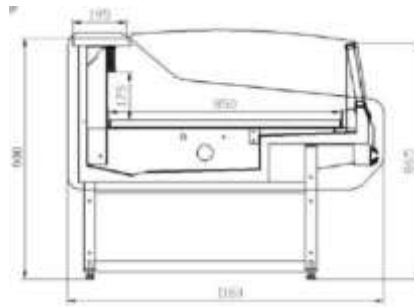




# The Counter Cabinet Series

## Features:

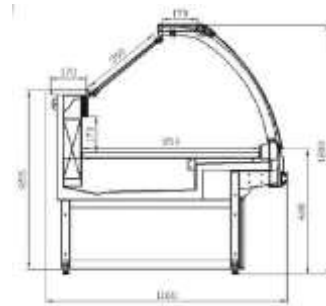
- ✓ Suitable for fresh meat products, vegetables .
- ✓ Danfos valve, stainless steel shelf
- ✓ Ark of straight stitching, 90 degrees of corner stitching
- ✓ Optional flat or at the bottom of the bridge type



Type A

## Features:

- ✓ Can be separately, roundabout joining together
- ✓ Glass can be open before
- ✓ Danfos valve, stainless steel shelf
- ✓ At the bottom of the optional planar or type piers



Type B

Table for Type A ;

Model	SC-GK0.2WF	SC-GK0.4WF	SC-GK0.5WF	SC-GK0.7WF
Dim. Ext (mm) W x D x H	1250x 1160 x 900	1875 x 1160 x 900	2500 x 1160 x 900	3750 x 1160 x 900
Display Volume (m2)	1.05	1.60	2.12	3.18
Effective Volume (m3)	0.22	0.39	0.53	0.75
Refrigeration Load (W)	400	700	900	1400
Use Temperature Range	4°C to 10°C		-2°C to 2°C	

Table for Type B ;

Model	SC-GB0.2LA	SC-GB0.2LA	SC-GB0.2LA	SC-GB0.2LA	SC-GB0.2LA
Dim. Ext (mm) W x D x H	1250x 1250 x 1200	1136 x 1160 x 1200	1960 x 1160 x 1200	2580 x 1160 x 1200	3836 x 1160 x 1200
Display Volume (m2)	1.10	1.09	1.60	2.12	3.18
Effective Volume (m3)	0.26	0.32	0.39	0.53	0.75
The Input Power (W)	200	500	700	800	1200
Net Weight (KG)	170	180	210	280	420
Use Temperature Range	4°C to 10°C		0°C to 5°C		